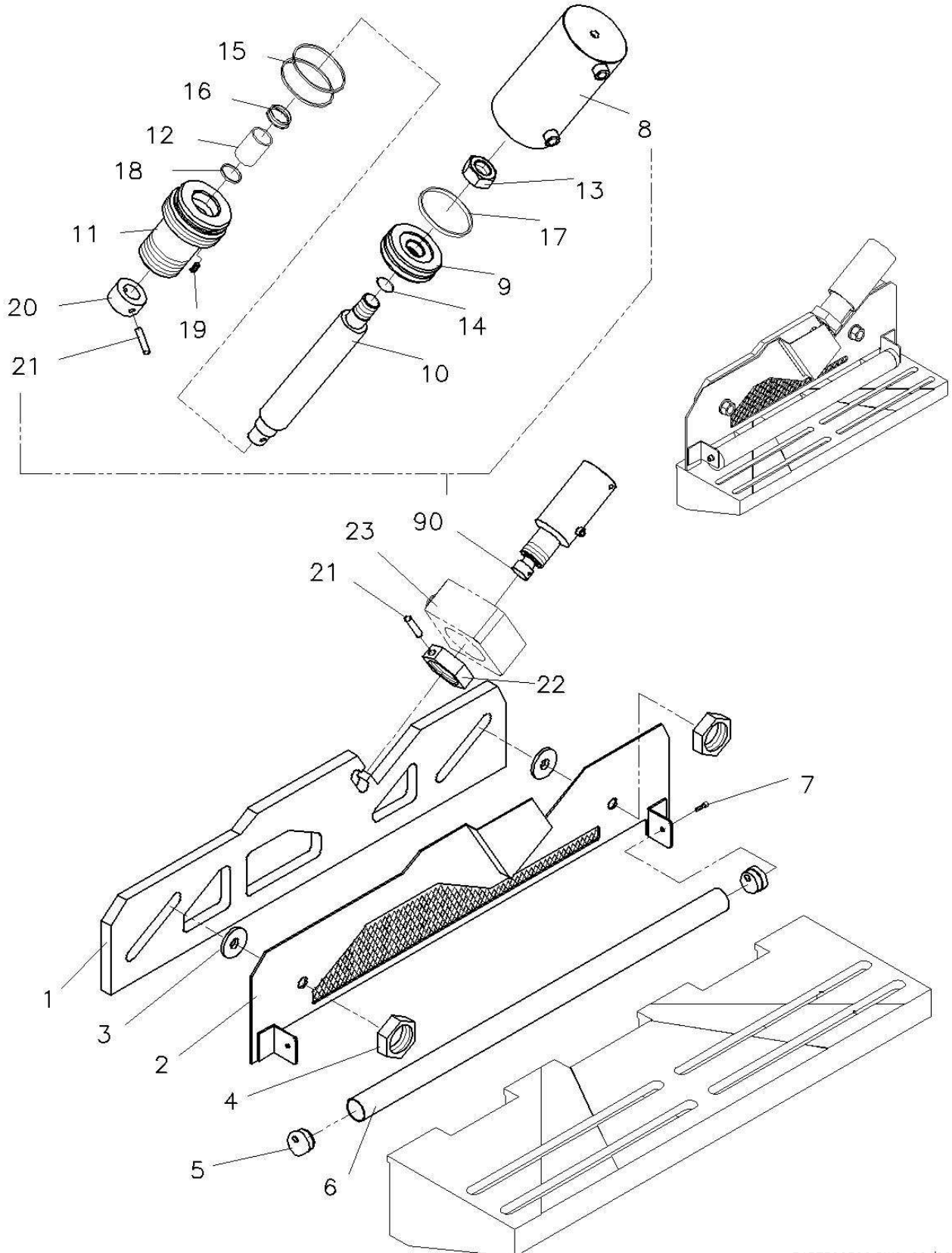


## IW-S/SD Hydraulic Holddown





**SUNRISE Fluid Power Inc.**

No. 7, Road 12, Industrial Zone, Taichung City 407, Taiwan

Tel: 886-4-2359-1190

Fax: 886-4-2359-3409

sales@sunriseiw.com.tw

www.sunriseiw.com.tw

## Sunrise Ironworker Parts List

Model: IW-100S/SD Part: 3408900 Hydraulic Holddown

Model: IW-125S/SD Part: 3608900 Hydraulic Holddown Date: 02/2012

Item	Part Number	Description	產品名稱	Q'ty	Memo
1	213408002C	Hydraulic Holddown for Flat Shear	油壓平板剪切壓板	1	
2	213402901	213402025 213402026A	Cover for Hydraulic Holddown	油壓平板剪切護蓋	1
3	213010007	Washer	油壓平板活動座墊圈	2	
4	56302B0116	Nut M16	螺帽	2	
5	212810010	Protective Pipe Ends	安全滾桿套蓋	2	
6	511330380350628	Protective Pipe	白鐵管 38X 35X628	1	
7	56301A0006025	Hex Bolt M6X25	六角承窩頭螺栓	2	
8	213403921B	Cylinder Pipe	缸管	1	
9	213403924A	Piston	活塞	1	
10	213403922A	Piston Rod	活塞桿	1	
11	213403927A	213403923B	Cylinder Rod Cover	前蓋	1
12		213003927A	Bushing	前蓋銅襯套	1
13	24NU001056	Nut 3/4"-16UNF-2A	防鬆螺帽 3/4"-16UNF-2A	1	
14	534013403920A	53403P020	O-Ring	O型環	1
15		534032228 534048228	O-Ring + Back Up Ring	O型環+背托環	1
16		5340518701250312B 534040412031803	U Packing + Back Up Ring	U型油封+背托環	1
17		534021708040 534032139	Piston Seal+ O-Ring	活塞環+O型環	1
18		53406H1250	Dust Seal	防塵油封	1
19		56301C0006010	Set Screw M6X10	止付內六角螺栓	1
20	211310011	Holddown Screw End Piece	調整螺桿拉塊	1	
21	56306S0060030	Spring Pin Ø6X30	彈簧銷	1	
22	213010006	Nut	油壓缸固定螺帽	1	
23	213401017A	Cylinder Fixingblock	平板油壓缸固定座	1	
90	213403920C	Hydraulic Holddown Cylinder	平板壓塊油壓缸	1	
	211603914A	Connector	兩通		
	53653PN500DN6	Ball Relief Valve	球閥		
	213203017A	Manifold Block	油路板		
	5350134003	535020200060850	Hyd. Hose 3/8"X2WX850L	高壓油管	
		535020200040850	Hyd. Hose 1/4"X2WX850L	高壓油管	
		535020210040370	Hyd. Hose 1/4"X2WX370L	高壓油管	
		535020200040390	Hyd. Hose 1/4"X2WX390L	高壓油管	